



Models: OC-RM1000
PATENT - AUS2016102104
USA PATENT PENDING
OWNER'S MANUAL

Congratulations on purchasing the Oz Charge Rescue Mate Super Safe Jump Starter. Please take the time to carefully read and understand this manual before using this product.

This Oz Charge Rescue Mate Super Safe Capacitor Jump Starter is microprocessor controlled and contains NO BATTERIES which means it's extremely safe to store and transport.

IMPORTANT SAFETY ADVICE AND WARNINGS:

- This device is suitable for 12V applications only.
- **Always use in a well ventilated area. If you can smell battery gas or gasoline, DO NOT USE THIS DEVICE TO ATTEMPT TO START YOUR VEHICLE.**
- Always refer to your vehicles manufacturers manual and safety advice with regards to jump starting vehicles. Some new vehicles may display warning lights when a battery goes flat and these warning lights may have to be cleared from your dealership using a scan tool.
- Always check your vehicle is in Neutral or Park before attempting to jump start.
- This device should never be exposed to water, rain, snow, liquids etc.
- Double check all connections are correct before turning on the device.
- Never Short Circuit or connect the input / output leads Reverse Polarity during RUN Mode as all safety features are disabled.
- Never short circuit the output leads / crocodile clamps and press the RUN button.
- Do not attempt to use the device if it has been dropped or damaged.
- Do not attempt to use the device if the cables or plugs are damaged.
- If battery acid contacts your skin or clothing, wash immediately with soap and water. If acid enters your eye, immediately flush the eye with running cold water for at least 10 minutes and seek medical attention. Someone should always be within range of your voice.
- Never attempt to use this device on a damaged battery, frozen battery or non rechargeable battery.
- Never place the device on the battery or near any moving parts.
- When working with lead-acid batteries, remove personal metal items such as rings, bracelets, necklaces, watches and make sure you don't short circuit the battery terminals with any type of metal tool or piece of jewellery as this will cause an explosion. You can wrap your spanner with insulation tape to minimise the risk of a short circuit.
- NEVER smoke, use an open flame or create sparks near a battery or this device during operation as this may cause an explosion and explosive gases.
- Do not disassemble the device. Take it to a qualified and authorised person for repair.
- The device must not be used or played with by infirm persons or children. Also keep it away from any pets.

ENGINE TYPES & CAPACITY:

The OC-RM1000 has been designed for use in automotive and marine applications with Petrol/Gasoline engines up to 10.0 litres and Diesel engines up to 5.0 litres. This should be used as a general guide only as all vehicles are different and require different amounts of starting current to start.

Note: This device may not work on all Diesel vehicles due to longer cranking times required to start Diesel engines and the amount of power required to heat up the glow plugs on older vehicles.

WHAT'S INCLUDED:

Main unit

Micro USB charge cable

Cigarette lighter plug charge cable

Operating instructions

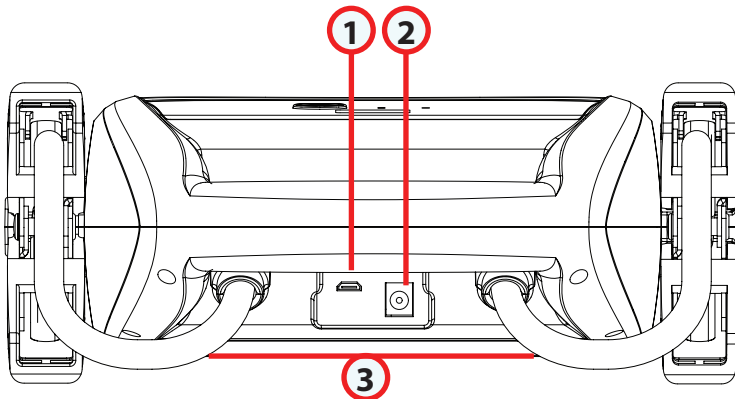
TECHNICAL SPECIFICATIONS:

Model Number	OC-RM1000
Output	12V DC / 1000A Max.
Input Voltage	3V - 15.5V
USB Input	5V / 2A Max.
DC Input	12V / 10A Max.
Charge Time - 12V Battery	90 Seconds *
Charge Time - DC Input	5 Minutes *
Charge Time - USB Input	50 Minutes *
Output Leads Length	400 mm / 15.75 in
Operating Temperature	-40 to 65 C° / -40 to 149 F°
Operating Humidity	90% RH Max.
Size (L*W*H)	275 x 250 x 89 mm / 10.83 x 9.84 x 3.5 in
Weight	2.5 kg / 5.5 lbs
Approvals	CE, FCC, EMC / EN55032 EN55024 / AS/NZS CISPR 32

* Charge times can vary depending on the devices current charge status and the condition of the battery or power source being used to charge the device.

INPUTS / OUTPUTS:

- 1) USB Input** - Charge from a USB power source. Portable power bank or USB wall socket.
- 2) DC Input** - Charge from a DC Power Source/12V outlet (Cigarette lighter socket).
- 3) Battery Input / Output** - Connect the crocodile clips to vehicles 12V Battery to charge and/or jump start.



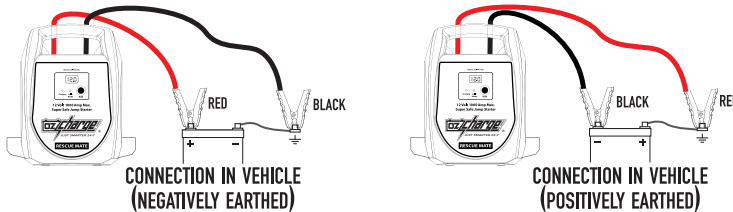
HOW IT WORKS?

This device must be charged before each use and in most cases can be charged up from your vehicles existing flat battery as it contains a built in converter circuit which allows the device to be charged up from a flat battery providing it's at least 3 Volts. If your vehicles flat battery is below 3V then you'll need to use another vehicles battery / power source or use the USB input to charge up the device.

STEP 1 - CHARGING THE DEVICE

12 Volt Battery in a vehicle - Connect the Red clamp to the Positive (+) battery terminal and the Black Negative (-) clamp to the vehicles chassis if it's a negatively earthed vehicle.

Refer to diagrams below. **Note:** If the battery is not located under the bonnet, connect the device to the vehicles Positive (+) and Negative (-) jump starter connection points. Refer to vehicles hand-book for connection details.



DC Input / Cigarette lighter charge lead - Connect the supplied cigarette lighter charge lead to the devices DC input then connect the cigarette lighter plug to a 12V outlet.

USB - Connect the supplied Micro USB cable to the USB input on the device, then connect it to a USB power source.

The device will automatically start charging as soon as an input is connected, the units LCD will illuminate and it will display the device voltage and the charging blue LED will be on. Once the device is fully charged, the LCD will display Ready to Use and the Green Full / Ready LED will flash.

STEP 2 - STARTING YOUR VEHICLE

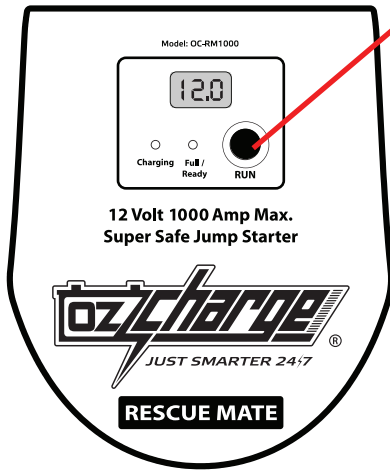
a) Connect the Red Clamp to the Positive (+) battery terminal and the Black Negative (-) clamp to the vehicles chassis if it's a negatively earthed vehicle. (If you've charged this device off your vehicles flat battery, leave the Clamps connected)

b) Now press the RUN button. A timer will count down from 10, 9 5, 4, 3, 2, 1, RUN. During this countdown you should position yourself so that you are accessible to the vehicle's ignition. Once the countdown concludes and "RUN" is displayed on-screen the buzzer will sound. Once hearing the buzzer you should crank the vehicle immediately. If you would like to extend the countdown time, press and hold the RUN button until the time displayed reaches the delay time required. The delay time can be set for a maximum of 120 seconds. As soon as the countdown has finished and RUN mode is enabled you must start your vehicle immediately. **WARNING:** Only press the RUN button once both clamps are connected to your battery. (Please ensure your radio, heater, air conditioner, headlights are switched off before starting). Once the vehicle has started the device will automatically disable RUN mode and start recharging the device. **NEVER DISCONNECT THE DEVICE WHILE IN RUN MODE AS ALL SAFETY PROTECTION IS DISABLED.**

When safe to do so, (Blue Charging LED Flashing or Green Ready to Use LED flashing) disconnect the Black then Red Clamps from your battery.

If your vehicle fails to start, please disconnect the device, wait 5 minutes and repeat Steps 1 and 2.

LED / LCD STATUS INDICATOR TABLE:



RUN Button:

The RUN button can be pressed once to activate RUN mode once the device is fully charged and Ready To Use. If RUN mode is activated, you can press the RUN button to stop RUN mode.

Pressing and holding the RUN button when the device is Ready To Use will extend the start delay time up to 120 Seconds. The default start delay is 10 seconds.

If the device is not connected to any battery or input, press and hold the RUN button for 1 second to turn the LCD on. **Note:** The LCD will only turn on and display the devices voltage if the voltage is over 10 Volts.

LED	Status	Description
Charging LED		
Blue	ON	The Charging LED will illuminate blue while the device is being charged
Full / Ready LED		
Green	Flash	The Full/Ready LED will flash green to indicates the device is charged and ready to use. READY TO USE will also be scrolling across the LCD.
Green	ON	Indicates the unit is in RUN mode (outputting power). During RUN mode all safety protection is DISABLED. Do not short circuit or make a reverse polarity connection while in RUN mode. RUN mode will time out after 30 seconds or you can press the RUN button to stop RUN mode.
Note: If both the Charging and Full/Ready LED are OFF, this indicates no charge input has been detected.		
LCD	Status	Description
LCD	ERR	If the LCD displays ERR, this means the leads were connected reverse polarity.
LCD	RUN	If the LCD displays RUN and the devices voltage, the device is outputting power
LCD	CAR	If the LCD displays CAR then a voltage, this is the voltage of the vehicles battery
LCD	USB	If the LCD displays USB then a voltage, this is the voltage of the USB input source.
LCD	DC I	If the LCD displays DC I then a voltage, this is the voltage of the DC input source
LCD	READY TO USE	If the LCD displays READY TO USE, the device is charged and ready to go.

Note: If the devices voltage is under 10V, the unit / LCD will not turn on until you charge the device.

TROUBLE SHOOTING:

Problem	Indication	Possible Causes	Suggested Solution
Device will not turn ON	The LED's and LCD is OFF.	- The Capacitor Voltage is below 10V - No input has been detected.	- Connect a power source to one of the 3 inputs to start charging the device. - Check all input connections and make sure it's not connected Reverse Polarity.
An Error is displayed on the LCD	ERR is displayed on the LCD	- The crocodile clip output leads are connected reverse polarity.	- Check the connections of the crocodile clip output leads and connect them to the correct polarity.
The device will not start my vehicle?	RUN mode times out.	- Accessories such as a heater, air conditioner or headlights are draining all the power from the device before you have a chance to start the vehicle. - The vehicle requires more power to start than the device can supply.	- Try charging the device again, ensure all accessories such as heater, air conditioner, radio, headlights are turned off. Press the RUN button and try and start your vehicle again. - Ensure the clamps have a solid connection and try starting the vehicle again.
The device will not charge of my vehicles flat battery?	Charging light is ON then turns off while charging.	- Vehicle battery has no capacity and has dropped below 3V while charging the device.	- Charge the device from another vehicles battery or use the USB input or DC input and charge the device from another power source.

F.A.Q.:

How long will the device hold charge for?

As the device doesn't contain any batteries and uses Super Capacitors to hold charge, the capacitors will slowly discharge over time. Once fully charged, the device can hold charge up to a few days before it requires charging. For best performance, please ensure the unit is fully charged to 13.8V before using.

How many times can a fully charged unit start my vehicle?

This device is designed for a single start only. To start a vehicle, it will drain nearly all power stored in the device so it will need to be recharged before attempting to start another vehicle.

What if my vehicle doesn't start after several attempts?

In some cases your vehicles battery might be too damaged to jump start (internal short or severely sulphated). In this case you may bypass the vehicles battery if safe to do so by disconnecting the vehicles negative battery terminal lead and then connect the device if Ready To Use by connecting the Red Positive (+) Clamp first directly to the Positive battery post/terminal and then the Black Negative (-) Clamp directly to the Negative wire/terminal which was disconnected from the battery. **IMPORTANT NOTE: When bypassing the battery, there will be no Safety Protection when you press the RUN button. So it's critical all connections are correct otherwise you risk damaging both the unit and your vehicle. Note: Please consult your vehicles handbook before disconnecting the battery.**

3 YEAR PRODUCT WARRANTY:

Zylux Distribution Pty. Ltd. (ABN 66 101 378 009) of 166 Christmas Street, Fairfield, Victoria, 3078, Australia and OzCharge America LLC warrants to the Customer that this product is substantially free from defects in materials and workmanship under normal use for a period of Three (3) Years from the Date of Purchase. Please ensure you keep a copy of your purchase receipt on file as this will be required to validate your warranty.

Obtaining Warranty Service:

Within the warranty period, the Customer must contact the authorised supplier / retailer where the product was purchased or alternatively you can contact the Oz Charge service centre through one of the following methods:

Service help phone: Within Australia (03) 9482 2203

Outside of Australia: +61 3 9482 2203

Website: www.ozcharge.com.au / www.ozcharge.co.nz / www.ozcharge.com

If the Authorised Supplier and / or Oz Charge service centre concludes that while under normal use, a product failure or malfunction occurred during the warranty period and was caused by a defect in material or workmanship (see Exclusions), the Customer will be asked to ship to the nearest service point for repair or replacement, at our discretion. The product must be packaged appropriately for safe shipment. To prove that the product is under warranty, the customer should enclose a copy of their receipt for proof of purchase. It is recommended that returned products be sent by registered mail as Zylux Distribution Pty. Ltd. (Oz Charge) accepts no responsibility / liability for goods lost or damaged in transit.

Exclusions:

If upon receiving a product for repair and if testing and examining the product has disclosed that the alleged defect or malfunction in the product does not exist or was caused by the Customer or any third persons misuse, neglect, physical abuse, water damage, unauthorised attempts to open, exposure to extremely high temperatures, tampered with or repaired by an unauthorised persons, this will not be covered under this warranty. Also charges may apply to any product returned which has no fault found or if the warranty has expired or been void.

This Warranty is also void if:

1. The warranty seal is broken or altered.
2. The warranty period has expired.
3. The product has been tampered with or repaired by an unauthorised person.
4. If the product has been dropped or damaged due to impact.

Our goods come with guarantees that cannot be excluded under the Australian Consumer Law. You are entitled to a replacement or refund for a major failure and compensation for any other reasonably foreseeable loss or damage. You are also entitled to have the goods repaired or replaced if the goods fail to be of acceptable quality and the failure does not amount to a major failure. For New Zealand customers, this warranty is in addition to statutory rights observed under New Zealand legislation.

For all other countries, please visit www.ozcharge.com for details regarding obtaining warranty service.



OC-RM1000 - Owner's Manual: Rev 1.0 - 02/18 - Specifications subject to change without notice.

PATENT - AUS2016102104

USA PATENT PENDING